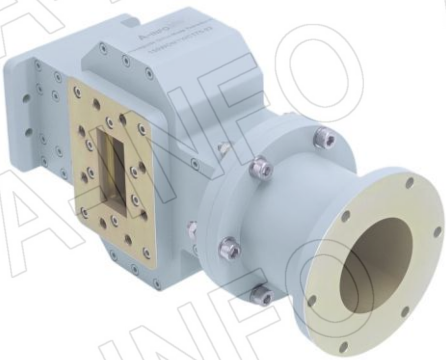


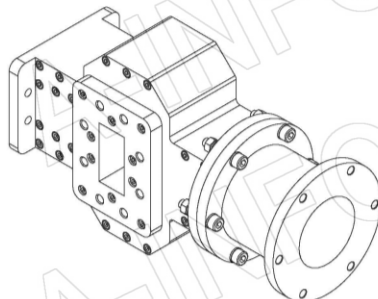
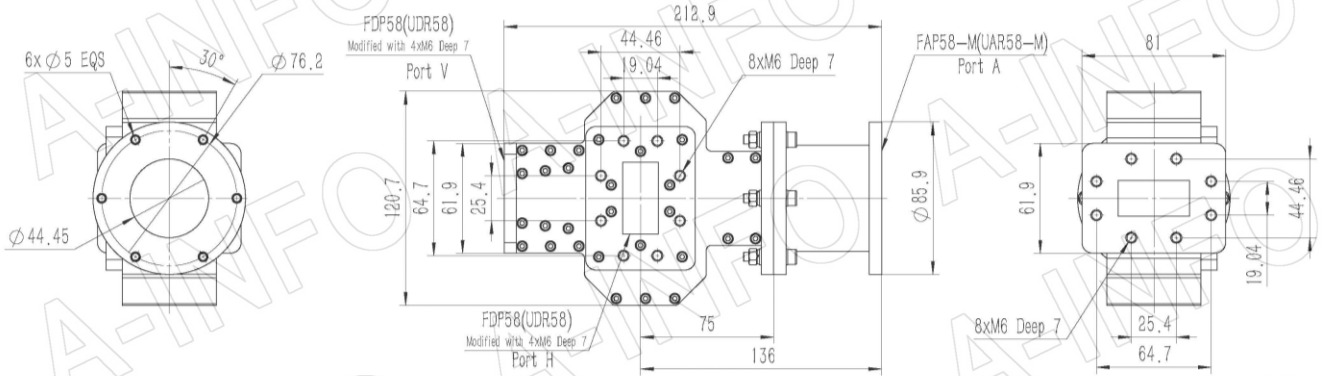
For reference only. See data sheet for the detailed specifications.

Technical Specification



EIA WR	WR159
Frequency Range(GHz)	4.90 – 7.05
Bandwidth	Full
Common Port	44.45mm/1.75" Circular WG
Insertion Loss(dB)	0.35 Max.
VSWR	1.30:1 Typ.
Cross Pol. Isolation(dB)	50 Typ.; 40 Min.
Port to Port Isolation(dB)	40 Min.
Common Port Flange	FAP58-M(UAR58-M)
Flange	FDP58(UDR58) (Modified with 4xM6 Deep 7)
Material	Al
Size(mm)	212.9 x 85.9 x 120.7
Net Weight(Kg)	1.66 Around

Outline Drawing (Size: mm)



AINFO Inc.

China(Beijing):
China(Chengdu):
USA :

Tel: (+86) 10-6266-7326,
Tel: (+86) 28-8519-2786,
Tel: (+1) 949-639-9688,

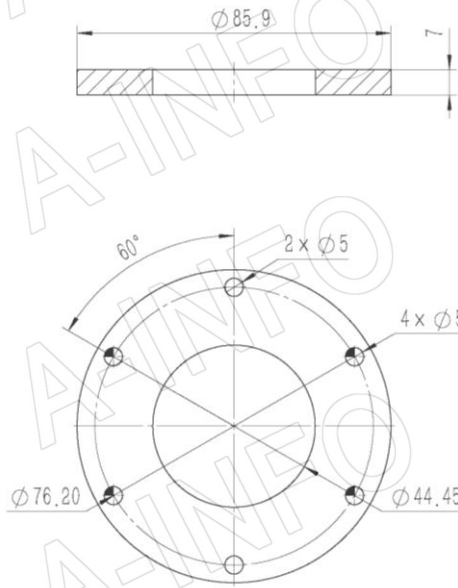
Page 1 of 5

(+86) 10-6266-7327
(+86) 28-8519-3044
(+1) 949-639-9608

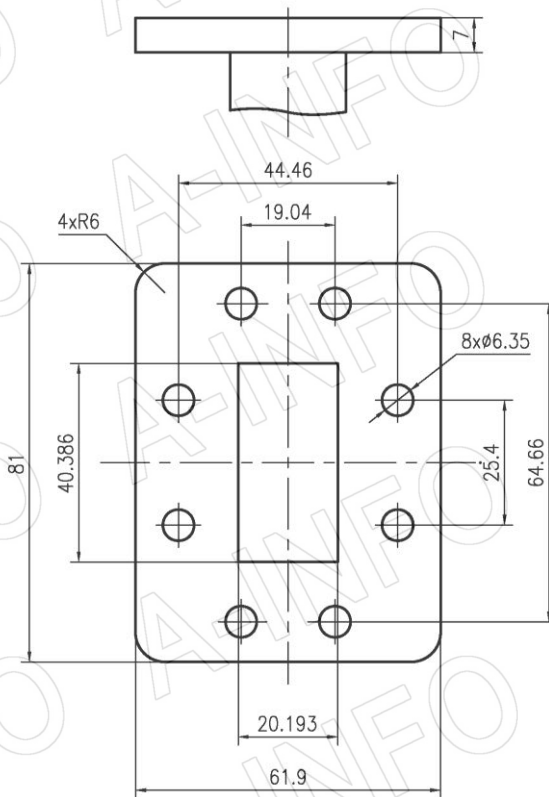
Fax: (+86) 10-6266-7379
Fax: (+86) 28-8519-3068
Fax: (+1) 949-639-9670

Website: www.ainfoinc.com
Email: sales@ainfoinc.com

Flange Drawing (Size: mm)



FAP58-M



FDP58

AINFO Inc.

China(Beijing): Tel: (+86) 10-6266-7326,
China(Chengdu): Tel: (+86) 28-8519-2786,
USA: Tel: (+1) 949-639-9688,

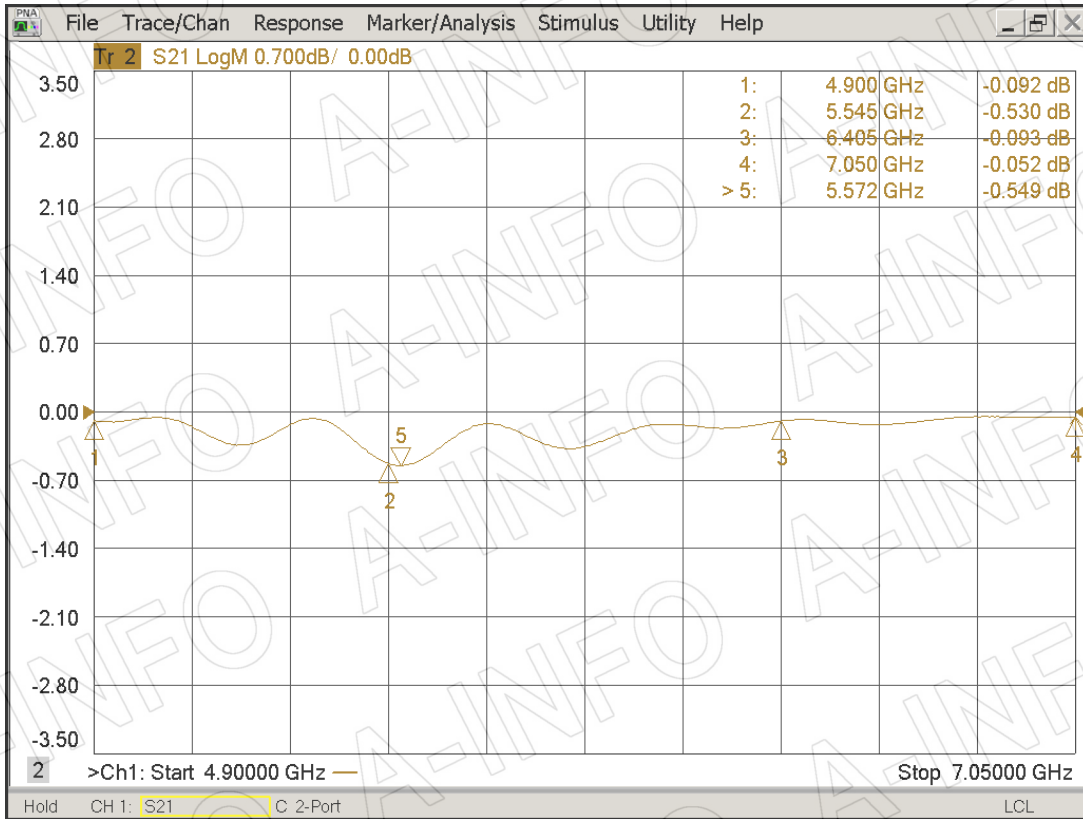
Page 2 of 5

(+86) 10-6266-7327 Fax: (+86) 10-6266-7379
(+86) 28-8519-3044 Fax: (+86) 28-8519-3068
(+1) 949-639-9608 Fax: (+1) 949-639-9670

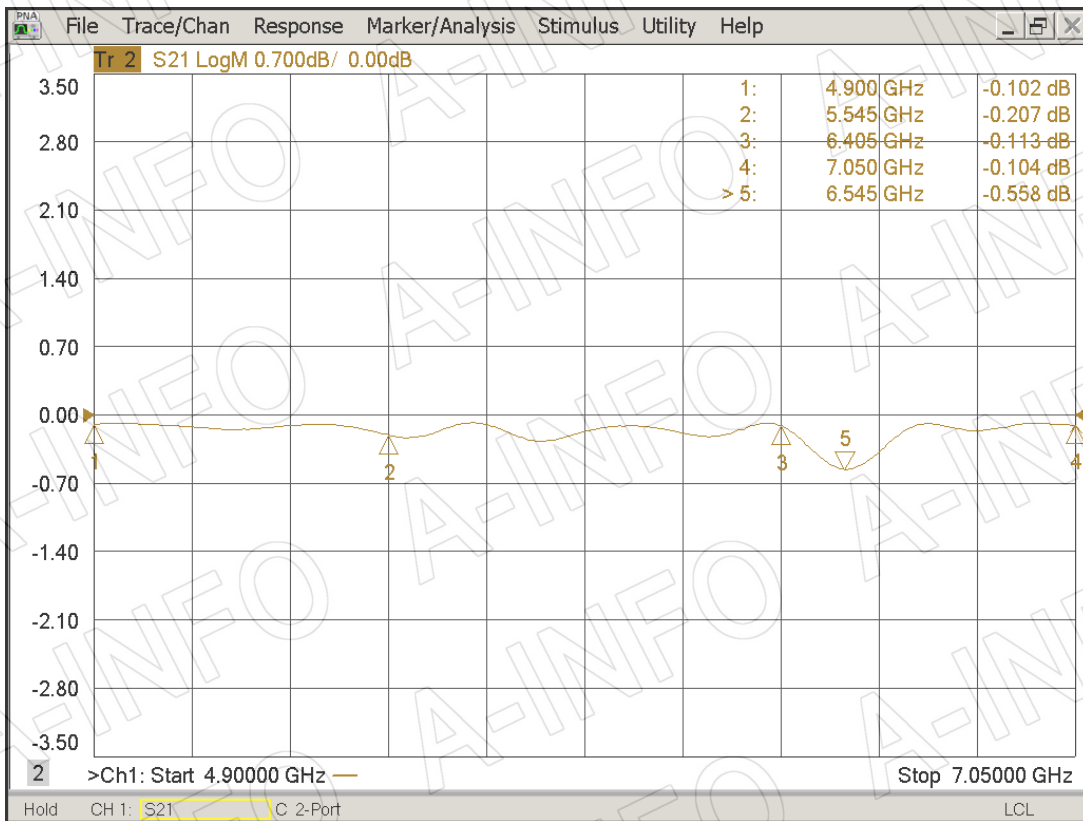
Website: www.ainfoinc.com
Email: sales@ainfoinc.com

Test Results

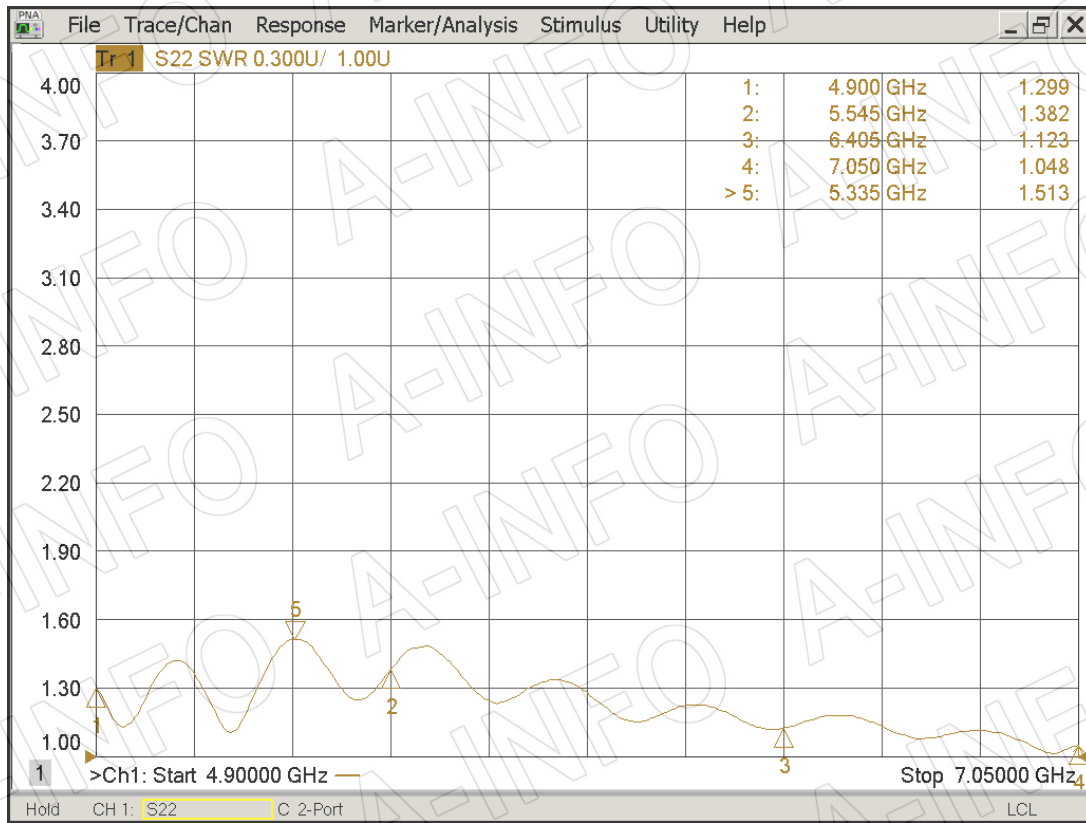
Port H_ Insertion Loss(Test with two OMT back to back)



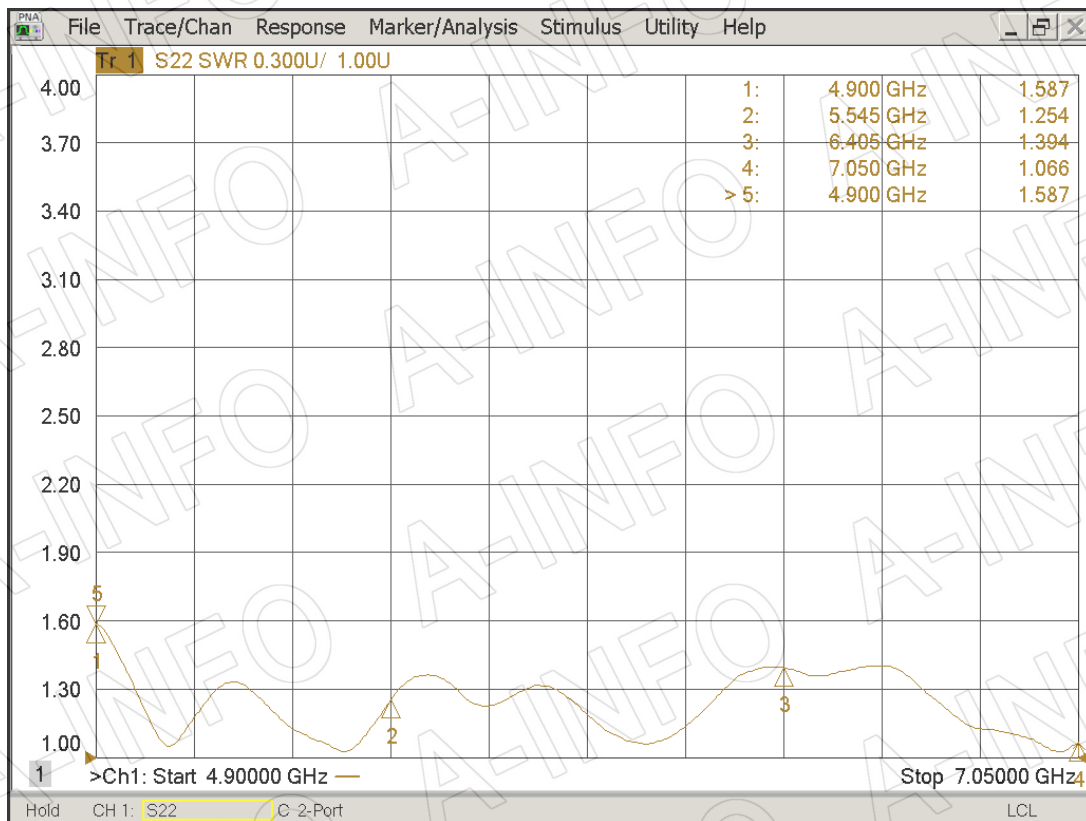
Port V_ Insertion Loss(Test with two OMT back to back)



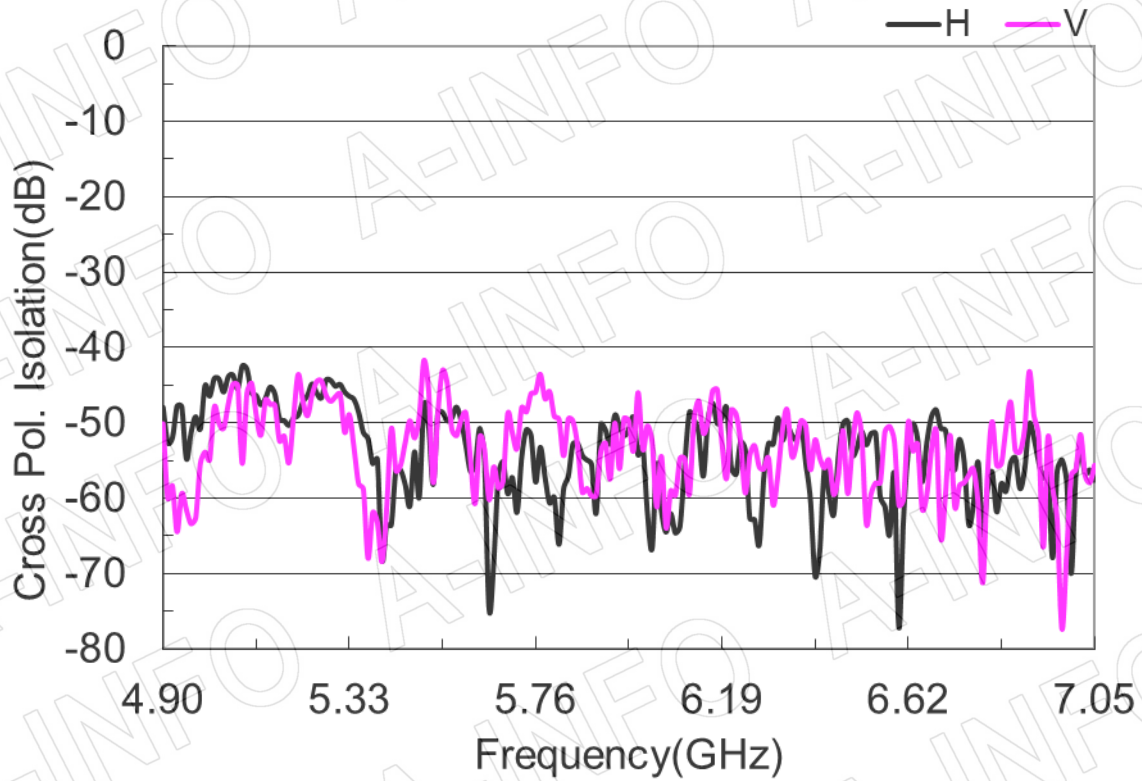
Port H_VSWR



Port V_VSWR



Cross Polarization Isolation



Port to Port Isolation

